

TOSHIBA DISPLAY
SYSTEMS
VALUE YOU CAN SEE.

LCD FLAT PANEL DISPLAY

42" 1920x1080

P42LSA



Value You Can See.

Today more than ever, visual communications require multifunctional, dependable, visually striking displays. Fortunately, Toshiba's P42LSA is more than up for the challenge. Its superior image quality shows off high-bright, high-contrast images viewable at any angle. The high-resolution panel runs native 1080i HDTV while the most rigorous specifications are handled with ease. And installation is a snap with any UL-approved VESA standard wall or ceiling mount.

With Toshiba LCDs, image "Burn-In" and "Temporary Image Retention (TIR)" is a distant memory. Its high-speed, fast video response time of 8 ms delivers the performance you need for any application. And nobody beats Toshiba's comprehensive 3-year, full replacement warranty - that's value you can see.

Key Features:

- No Temporary Image Retention (TIR)
- DPMS (Display Power Management System)
- High-resolution, 1080i True HDTV
- High-speed video response - 8 ms
- Can be used with any UL-approved VESA standard mount
- Wide off-axis viewing angles
- 60,000-hour back light life span
- 3-year full-replacement warranty *(warranty may vary outside of USA)

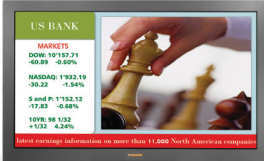
The applications reach as far as the eye can see.

Toshiba's 42" LCD display makes a huge impact in a wide range of environments.



Airports and metro rail systems -

Highly congested traffic areas call for displays with endurance. Toshiba LCDs are able to support the busiest airports and rail systems worldwide. Even at a great distance or angle, travelers can find the information they need to keep moving.



Finance - The financial world doesn't slow down for glitches. Thousands of business people have found the responsiveness and graphic clarity of the P42LSA to be ideal for hectic workdays.



Retail - In this highly aggressive industry, sellers need displays that demand attention, highlight merchandise and stand apart from the competition. Toshiba's 42" LCD fits the bill and can easily be incorporated into any retail setting.

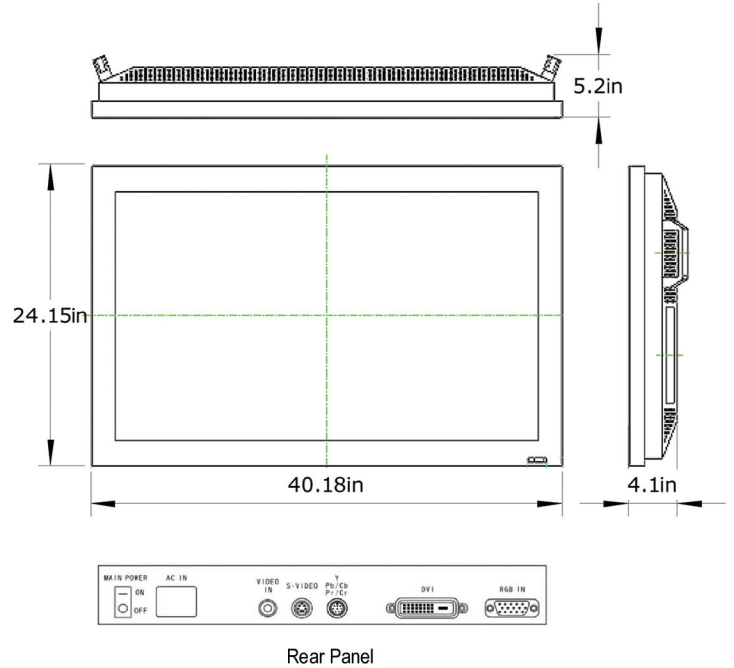


Food service - As menu boards, these LCDs allow for quick, automatic, multi-imaged signage changes. The crisp, customer-friendly graphics are easy to read and create an inviting atmosphere.

Copyright © World Links Development, Inc.

See the value. Turn to Toshiba

Specifications	42" LCD	
Model Type	P42LSA	
LCD Panel Type	42-inch TFT	
Active Area	(W)36.62 in x (H)20.60 in	
Maximum Resolution	1920 x 1080	
Colors	16.77 million colors	
Response Time	8ms	
Brightness	600 cd/m ²	
Contrast Ratio	1000:1	
Viewing Angle	Horizontal: 176° Vertical: 176°	
Power Voltage	AC100-240V (+/- 10%), 50/60 Hz	
Power Consumption	250 watts / Standby 15 watts	
Dimensions (WxHxD)	40.18 x 24.15 x 4.1 (inches)	
Weight	77 lbs	
Operating Temperature	5 ~ 40° C	
Operating Humidity	20% ~ 80% (No Condensation)	
Input Connectors	Analog RGB	D-Sub 15 pin
	Digital	DVI-D
	Video	RCaX1
	Y/C	S-Video connector
Input Signal	Video Signal	NTSC, PAL
	RGB Signal	VGA, SVGA, XGA, SXGA, UXGA
Control	DPMS	



WARNING: Incorrect operation and handling of this product, caused by ignoring this notice, may result in death or injury to the user(s) and/or other parties.

MAIN OFFICE (JAPAN)
TOSHIBA LIGHTING & TECHNOLOGY CORPORATION
DISPLAY SYSTEM DIVISION
Minami Shinagawa JN Bldg. 2-13,
Minami Shinagawa 2-chome
Shinagawa-ku, Tokyo 140-8660 Japan
Tel: +81-3-5463-8804 Fax: +81-3-5463-8840
Website: http://www.tlt.com.jp/tlt/index_e.htm

AMERICAS REGION
HARISON TOSHIBA LIGHTING USA
24922 Anza Drive Unit F
Valencia, CA 91360
Tel: +661-257-7901
Fax: +661-257-6490
Website: <http://www.toshibadisplays.com>

CANADA REGION (CANADA)
TOSHIBA OF CANADA LIMITED
191 McNabb Street
Markham, Ontario
Canada L3R 8H2
Tel: +905-470-3500 Fax: +905-470-5410
Website: <http://www.toshiba.ca>

CHINA REGION (CHINA)
TOSHIBA LIGHTING & DISPLAY SYSTEMS
(SHANGHAI) CO. LTD.
1st Floor South Bldg. No. 168 Meisberg Rd.
Waigaoqiao FTZ Shanghai 200131, China
Tel: +21-864431048 Fax: +21-864431049
Website: <http://www.toshiba-tlds.com>

- As part of ongoing product development, Toshiba Lighting & Technology Corporation reserves the right to make changes, improvements and other modifications as required, and such changes may be implemented without notice.
- The user and/or installer must comply with all local health & safety policies when installing any equipment. In addition, Toshiba Lighting & Technology Corporation recommends that all LCD flat panel display units be securely mounted using UL-approved VESA wall and ceiling mounts.
- VGA and XGA are trademarks of International Business Machines, INC.
- All other trademarks are the property of their respective owners.